

Medium Bi-Pin Lampholders For 800mA **Instant Start** Lamps

Internally shunted for single wire electronic ballast applications



588.GDF-IS™ & 589.GDF-IS™ Series Lampholders

Completely isolates the face of the socket from ground. No metal clips means no corrosion or electrical grounding.



588.GDF-IS™
Stationary

589.GDF-IS™
Spring Loaded



NRTL/C

Specifications

Rating: 660 Watts, dual rated 600V or 1000V.

Listing: UL File No. E-13408; CSA File No. LR9105.

UL listed and CSA certified for outdoor use in enclosed signs and fixtures.

Mounting: Snap-In, Dead Front Design

Materials

Housing: White urea

Contacts: Silver plated phosphor bronze, self wiping.

Mounting Clips: Fabulex™ Thermoplastic.

Gasket: Red silicone treated neoprene "O" ring

Termination: Lead wire 9" (228.6 mm) long, 18 AWG stranded and tinned lead wire, 1/2" stripped, standard. Wire rated: AWM 1000V, 90°C (194°F).

Special lengths available upon request.

The Red "O" Ring is a trademark of Voltarc®

Socket Sentry T8 & T12

The Vertical Lamping Solution....

Perfect with Kulka Sockets



Specially designed for use in vertical lamping applications to protect the bottom lampholder.



Socket Sentry™ is a trademark of Voltarc®.

Kulka® 588-IS™ / 589-IS™ Series

Stationary
Part No.

Spring
Part No.

588.GDF-IS

589.GDF-IS

Snap-in mounting, 9" long leadwires, gasket and pitch.

588.PDF-IS

589.PDF-IS

Snap-in mounting, 12" long leadwires, pitch only.

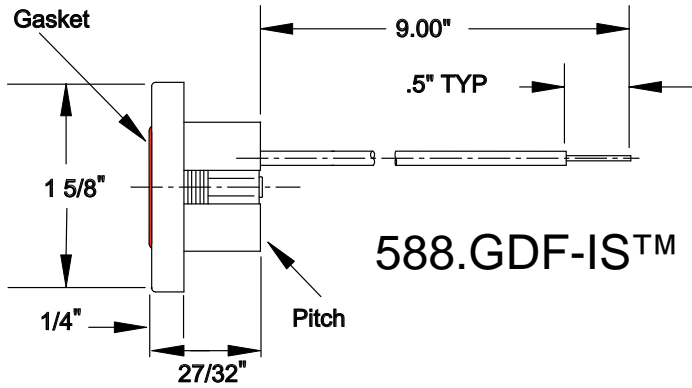
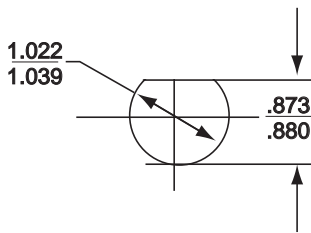


Pitch to insulate electrical contacts (588.GDF™ Standard back shown)

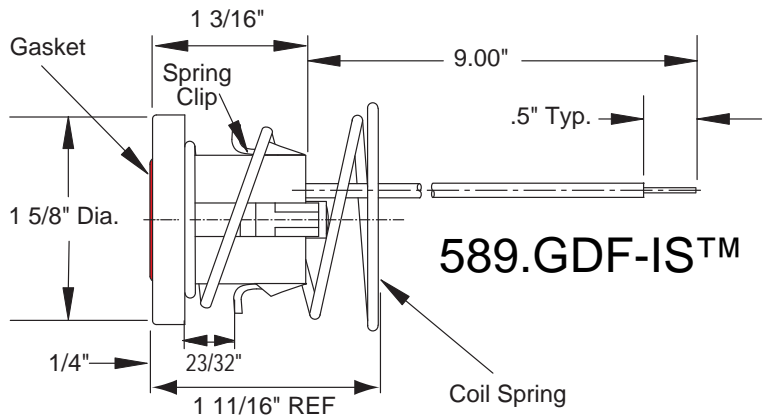
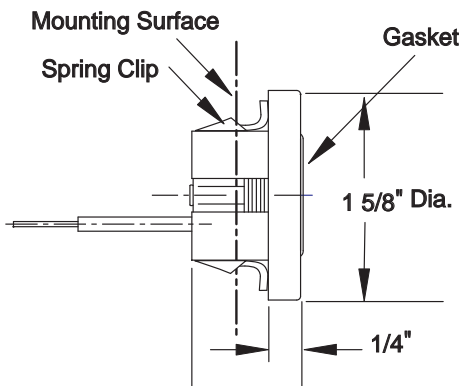
588.GDF-IS™ and 589.GDF-IS™ packed 250/ box. **Special lead wire lengths available upon request, Consult Sales Department.**
Options: Add Suffix "A": for Self Aligning Mounting Clip, Ideal for U-Lamp Applications

The Red "O" Ring is a trademark of Voltarc®

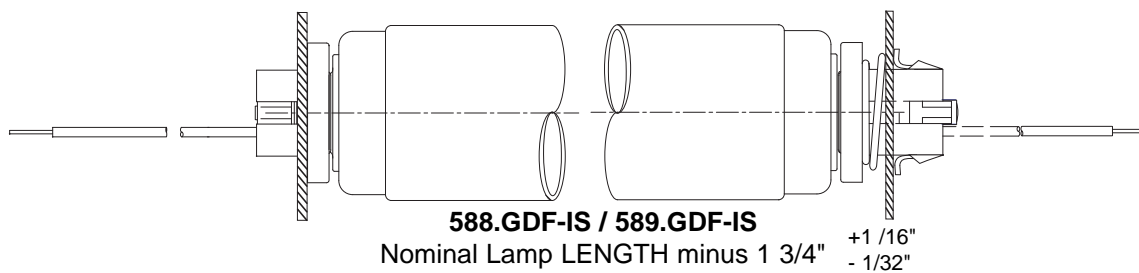
Mounting Panel Cutout
Recommended Panel Thickness
.031-.062"



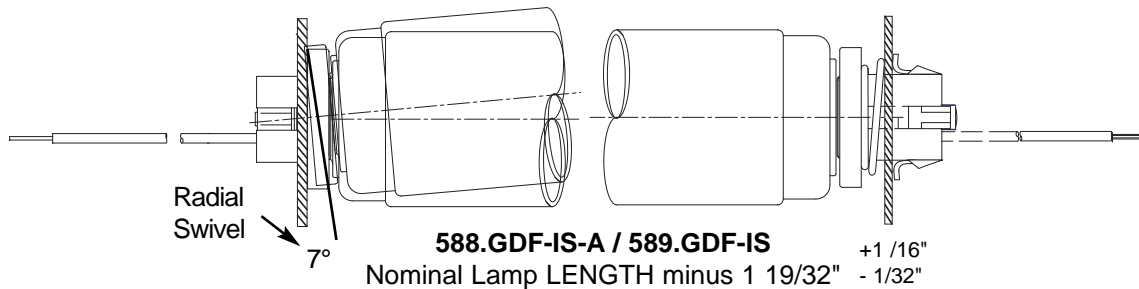
For U-Lamps
588GDF-A Self-Aligning



Panel to Panel Spacing



588.GDF-IS-A / 589.GDF-IS
Nominal Lamp LENGTH minus 1 11/16" +1/16"
-1/32"



588.GDF-IS-A / 589.GDF-IS
Nominal Lamp LENGTH minus 1 19/32" +1/16"
-1/32"