

Maritime Incandescent Sockets

Medium Screw Base



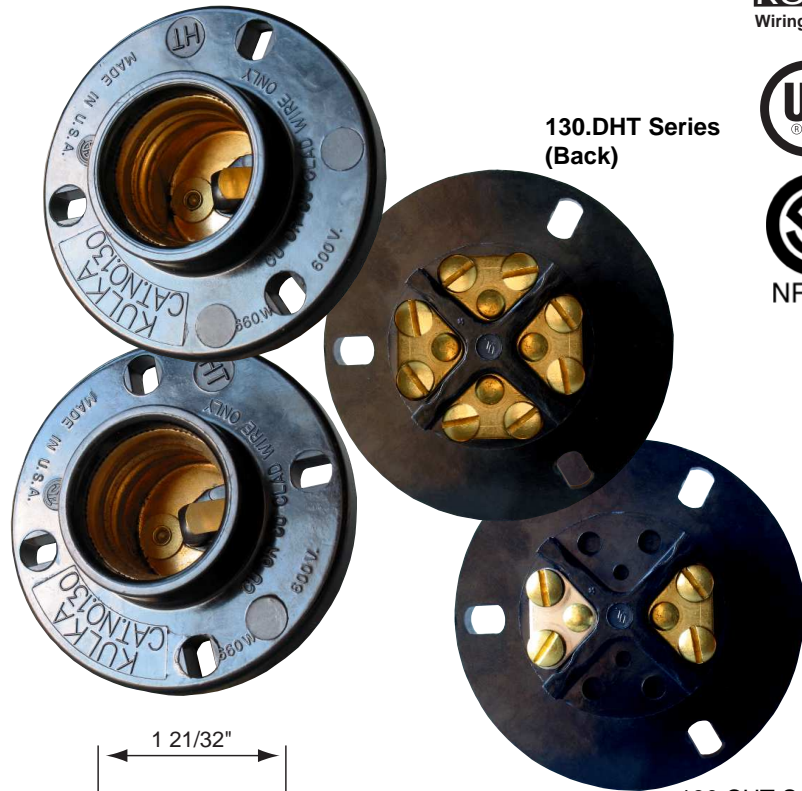
130 Series

Specifications

Rating: 660 Watts, 600V.
Listing: UL File No. E-13214;
 CSA File No. LR95423.

Materials

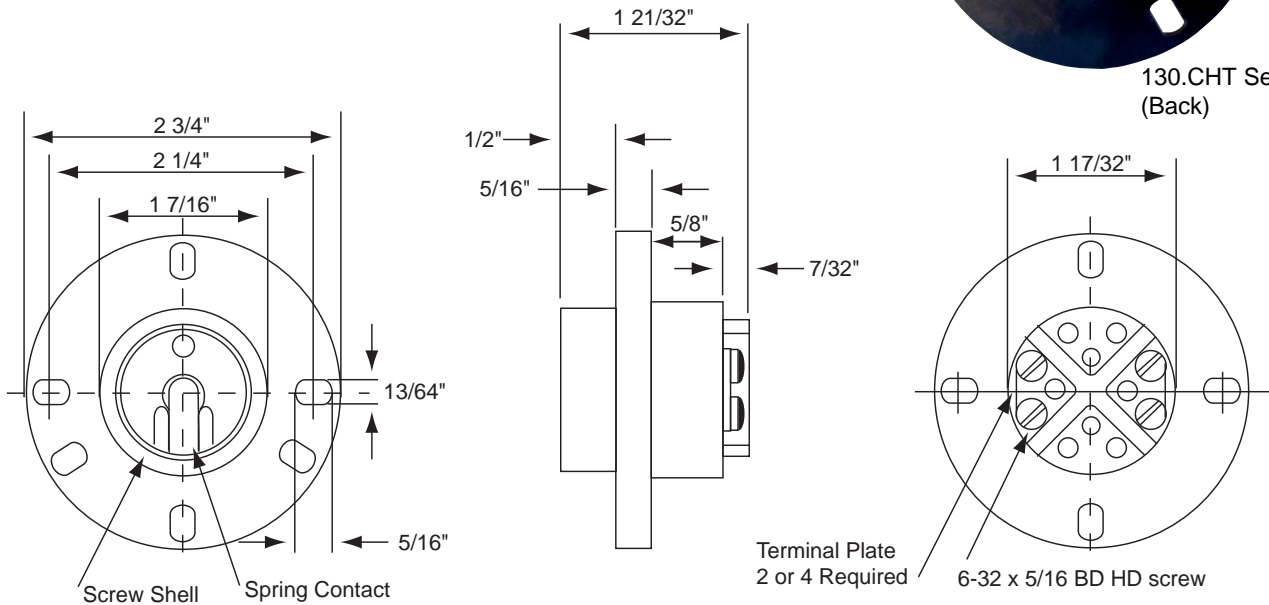
Screw Shell: Copper alloy
Housing: High temperature glass reinforced black phenolic, 180°C (356°F) max.
Contacts: copper alloy.
Mounting: Screw-on with three or four mounting holes.



130.DHT Series (Back)



130.CHT Series (Back)



Kulka® 130 Series

Part No.	Terminals	Number of Mounting Holes
130.AHT	2	4 Holes, 90° apart, high temperature.
130.BHT	4	4 Holes, 90° apart, high temperature.
130.CHT	2	3 Holes, 120° apart, high temperature.
130.DHT	4	3 Holes, 120° apart, high temperature.

Packed 200/ box.