

Low Pressure Sodium Lampholder



5110 Series

Specifications

Rating: 660 Watts, 1000 V Rating (not for home use)

Listing: UL File No. E-13408C; CSA File No. LR95423

Mounting: Screw-on

Materials:

Housing: Black, high temperature, flame retardant thermoset

Contacts: Electro-tinned copper alloy, self wiping

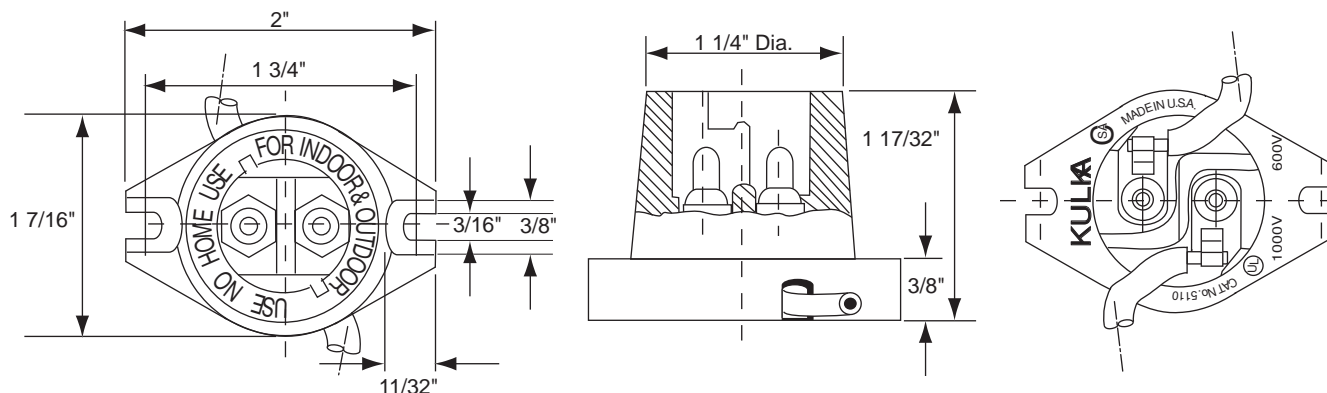
Termination: Lead wires 9" (228.6 mm) long, 18 AWG stranded and tinned lead wires, 1/2" stripped, standard. Wire rated: AWM 1000 V, 90°C (194°F).



NRTL/C



5110.B
Top View



Kulka® 5110.B Series - Not for Home Use

Part No.	Description
5110.B	Low pressure sodium lampholder, 9" leads wires
5110.B-12	Low pressure sodium lampholder, 12" leads wires
5110.B-20	Low pressure sodium lampholder, 20" leads wires

Packed 300/ box. **Special lead wire lengths available upon request, consult sales department.**