

# Recessed Double Contact Lampholders For 800 and 1500mA **Instant Start** Lamps

Internally shunted for single wire electronic ballast applications



## 530.1K-IS™ & 530.2K-IS™ Series Snap-In Lampholders

### Specifications

**Rating:** 660 Watts, dual rated 600V or 1000V.

**Listing:** UL File No. E-13408; CSA File No. LR95423.

UL listed and CSA certified for outdoor use in enclosed signs and fixtures.

**Mounting:** Snap-In

### Materials

**Housing:** White urea, (Black urea for horizontal plunger contacts)

**Contacts:** Horizontal or Vertical silver plated phosphor bronze.

**Gasket:** Red silicone treated neoprene "O" ring

**Termination:** Lead wire 9" (228 mm) long, 18 AWG stranded and tinned lead wires, 1/2" stripped, standard. Wire rated: AWM 1000V, 90°C (194°F).



530.2K-IS™  
Stationary

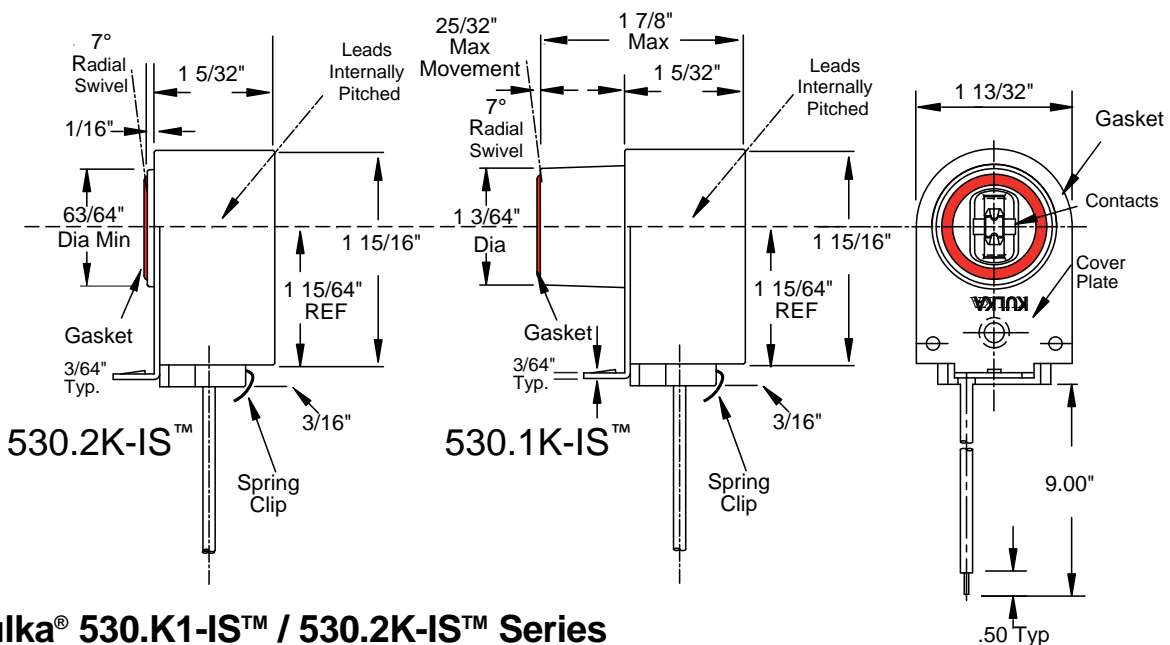


530.1K-IS™  
Spring Loaded



### Stationary

### Spring Loaded



## Kulka® 530.K1-IS™ / 530.2K-IS™ Series

| Spring Part No. | Stationary Part No. |
|-----------------|---------------------|
|-----------------|---------------------|

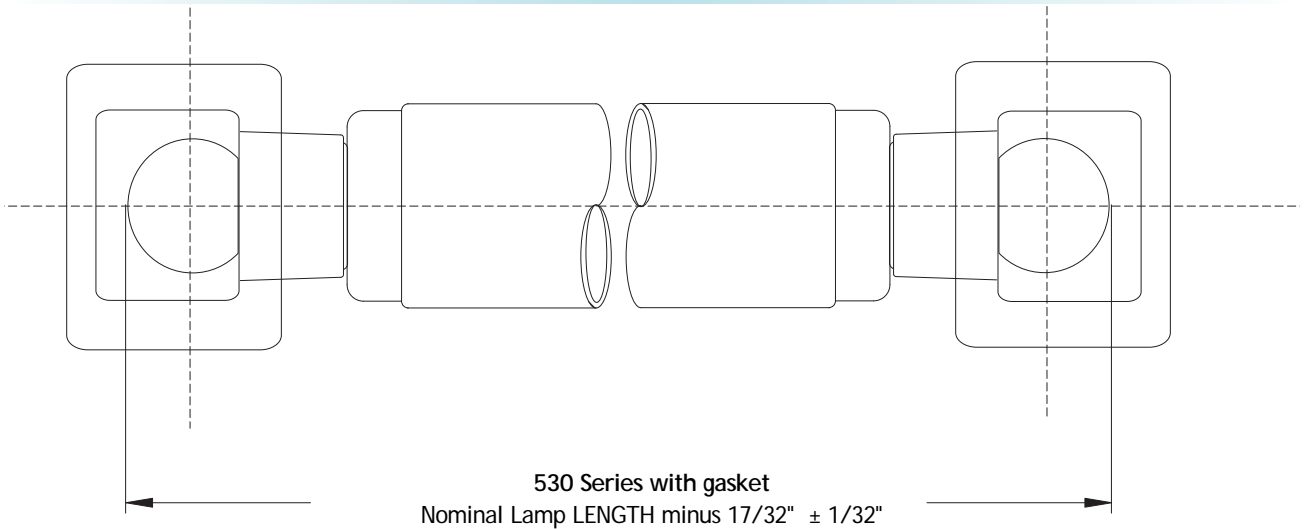
|           |           |  |
|-----------|-----------|--|
| 530.1K-IS | 530.2K-IS | Vertical contacts, lead, pitch and gasket, for mounting on 0.36" to 0.48" panel.   |
| 530.5K-IS | 530.6K-IS | Horizontal contacts, lead, pitch and gasket, for mounting on 0.36" to 0.48" panel. |

### Special Configurations

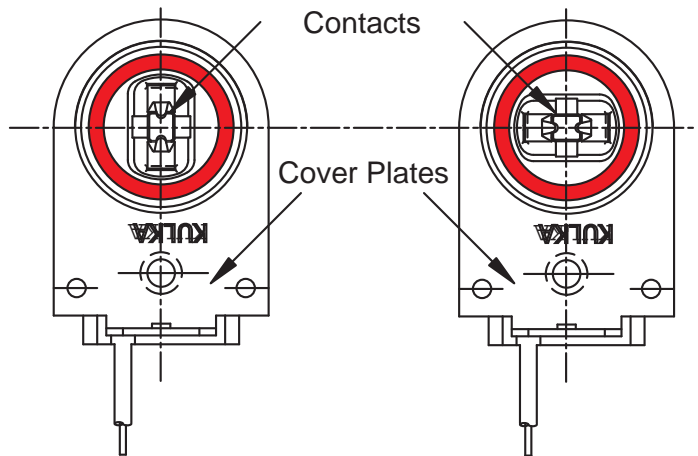
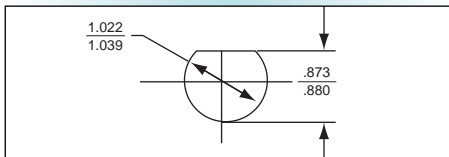
|            |            |  |
|------------|------------|--|
| 530.18K-IS | 530.28K-IS | Vertical contacts, lead, pitch and gasket, for mounting on 0.125" panel.   |
| 530.58K-IS | 530.68K-IS | Horizontal contacts, lead, pitch and gasket, for mounting on 0.125" panel. |

Packed 200/ box. **Special lead wire lengths available upon request, consult sales department.**  
The Red "O" Ring is a trademark of Voltarc®

**Panel to Panel Spacing**

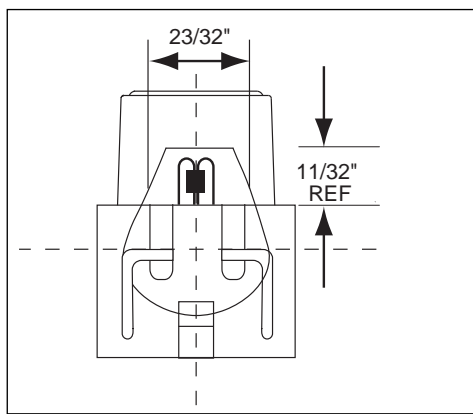


**Mounting Panel Cutout**  
 Recommended Panel Thickness  
 No. 20 - No. 18 gauge STD  
 (.036-.048")  
 530.18K or 530.28K is .125" panel thickness



Vertical Contact  
 530.1K-IS™  
 530.2K-IS™

Horizontal Contact  
 530.5K-IS™  
 530.6K-IS™



Bottom View



**530.6K**  
**Horizontal Contacts**  
**Stationary**