

Recessed Double Contact Lampholders

800 and 1500mA Lamps



540 & 541 Series



Specifications

Rating: 660 Watts, 600 V

Listing: UL File No. E-13408;
CSA File No. LR95423.

540.X and 541.X versions UL listed and CSA certified for outdoor use in enclosed signs and fixtures.

Mounting: Butt-on mount or with a variety of brackets
Materials

Housing: White urea

Contacts: Silver plated copper alloy.

Boot: Black neoprene.

Panel contact: Horizontal or Vertical.

Termination: Lead wires 9" (228.6 mm) long, 18 AWG stranded and tinned lead wires, 1/2" stripped, standard. Wire rated: AWM 600 V, 105°C (221°F).

Brackets: Cold roll steel, zinc plated.

Position of contacts with respect to plane of bracket mounting holes:

"Horizontal"- Contacts parallel to mtg holes.

"Vertical"- Contacts perpendicular to mtg. holes

540.B/541.B Lampholders with Black Neoprene Rubber Boot

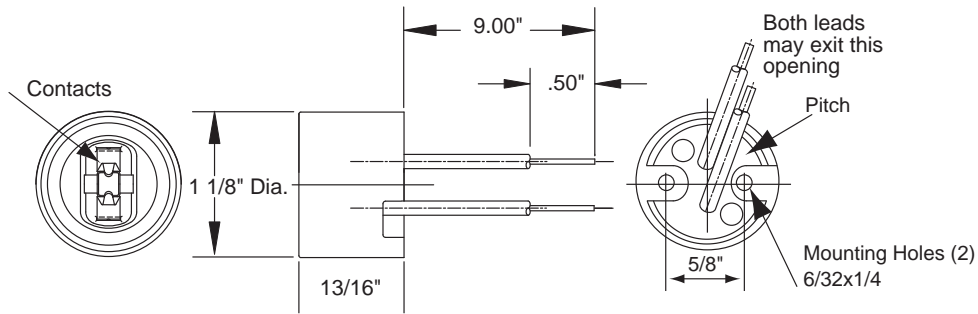
- Fully enclosed lamp end and lamp holder to provide a weather resistant seal.
- Ideal for outdoor use in enclosed signs and fixtures or for indoor high condensation applications.

Kulka® 540 / 541 Series

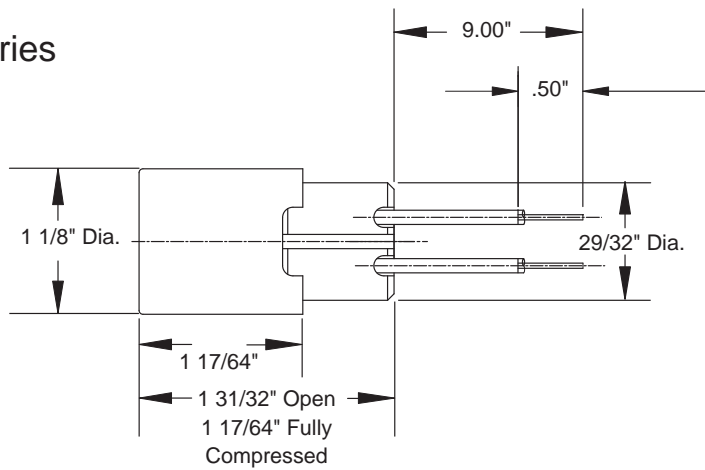
| Spring Part No. | Stationary Part No. | |
|-----------------|---------------------|---|
| 540† | 541† | Butt-on mounting, 9" long leadwires, no pitch |
| 540.X† | 541.X† | Butt-on mounting, 9" long leadwires, with pitch |
| 540.B† | 541.B† | Butt-on mounting, 9" long leadwires, no pitch with neoprene boot |
| 540.HU* | 541.HU* | Bracket mounting, 9" long leadwires, pre-assembled HU bracket, no pitch |
| 540.XHU* | 541.XHU* | Bracket mounting, 9" long leadwires, pre-assembled HU bracket, with pitch |
| 540.XH* | 541.XH* | Bracket mounting, 9" long leadwires, pre-assembled H bracket, with pitch |

Packed 500/ box, except 540.B/541.B packed 200/box. **Special lead wire lengths available upon request, consult sales department.** †supplied with No. 6/32 x 1/4" mounting screws in bulk (p/n 8063.208.001), *pre-assembled brackets, not available separately.

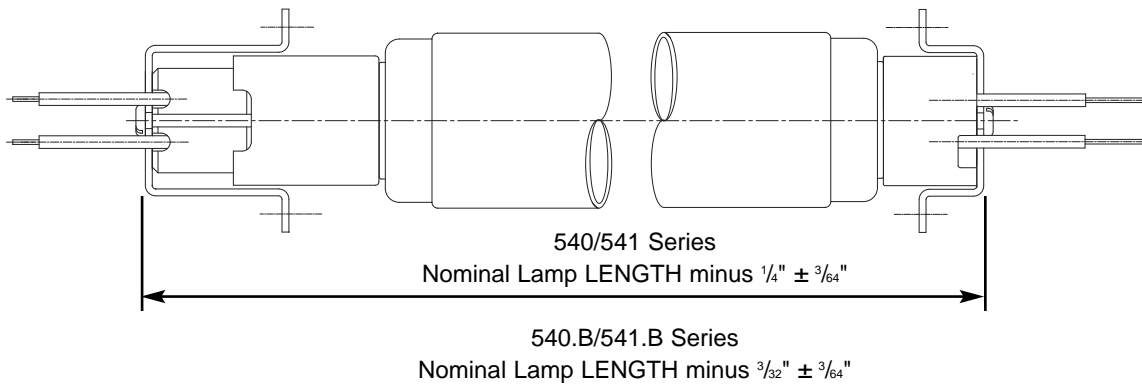
541 Series



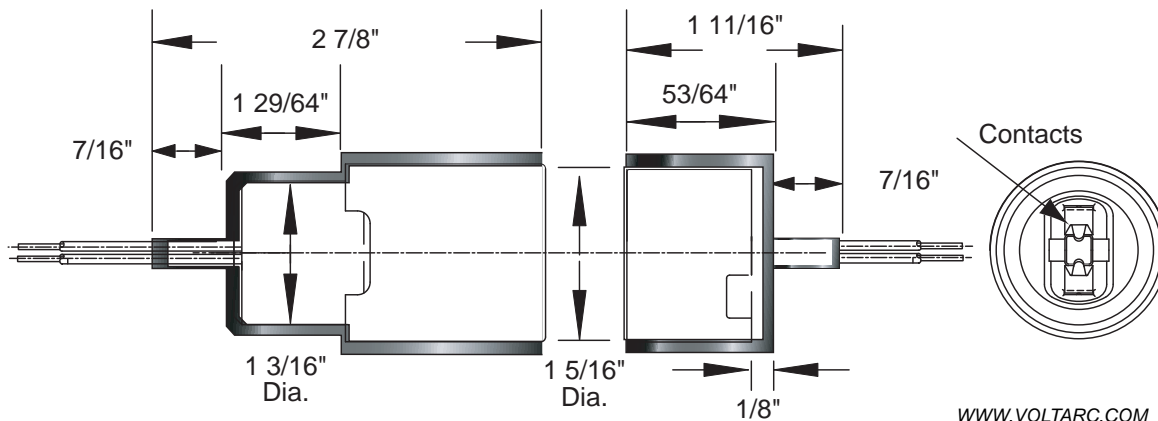
540 Series



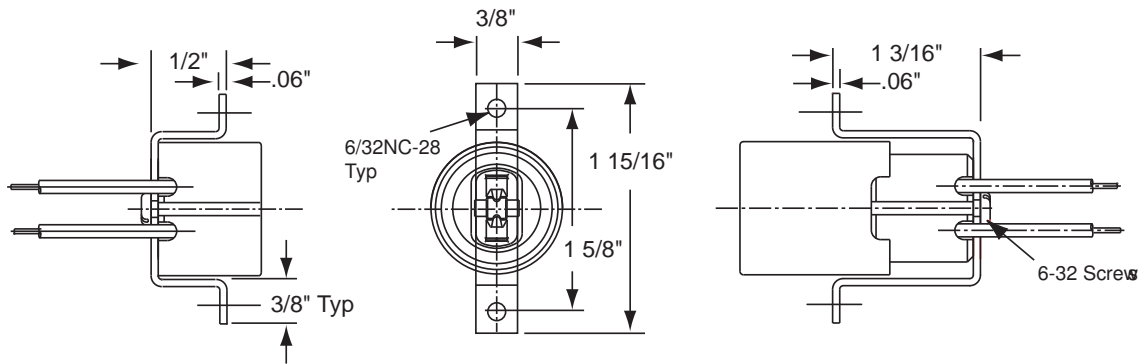
Back to Back Spacing



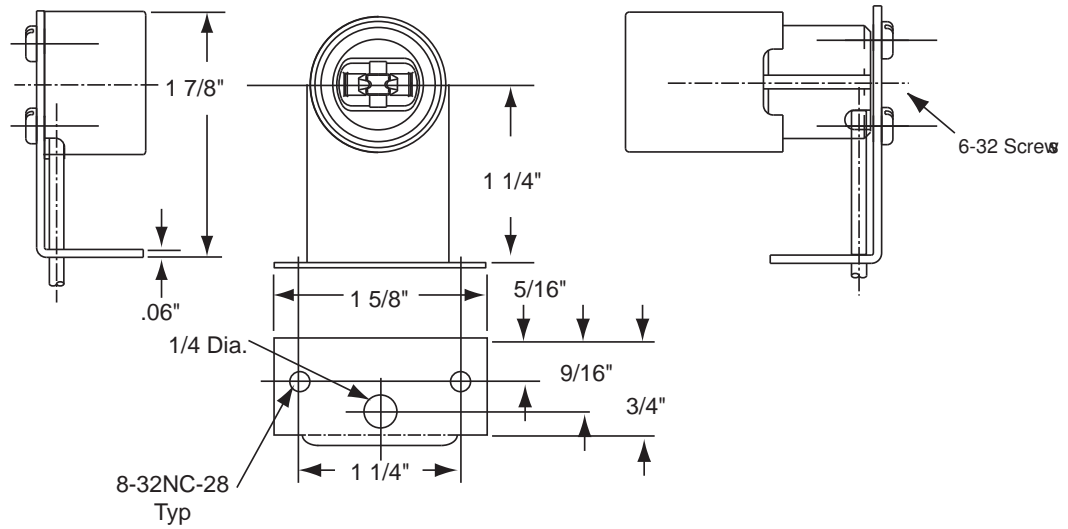
Neoprene Boot Option



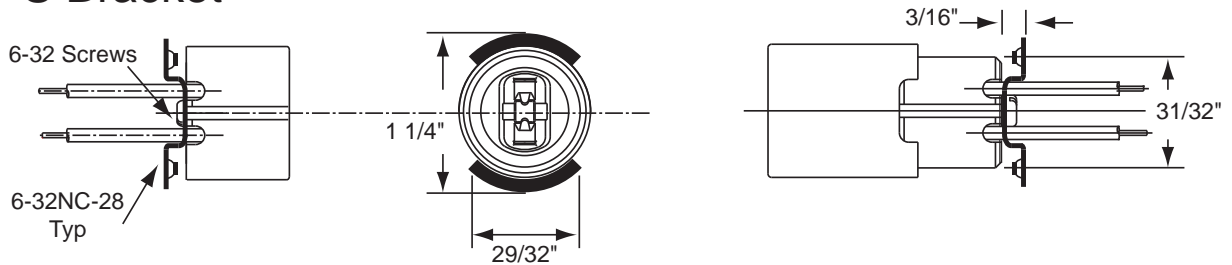
HU Bracket



H Bracket



S Bracket



LF Bracket

