

Aristo Besler 67 Cold Light Head

Enlargers: Besler 67

Coverage: 6 x 7 cm

Specifications:

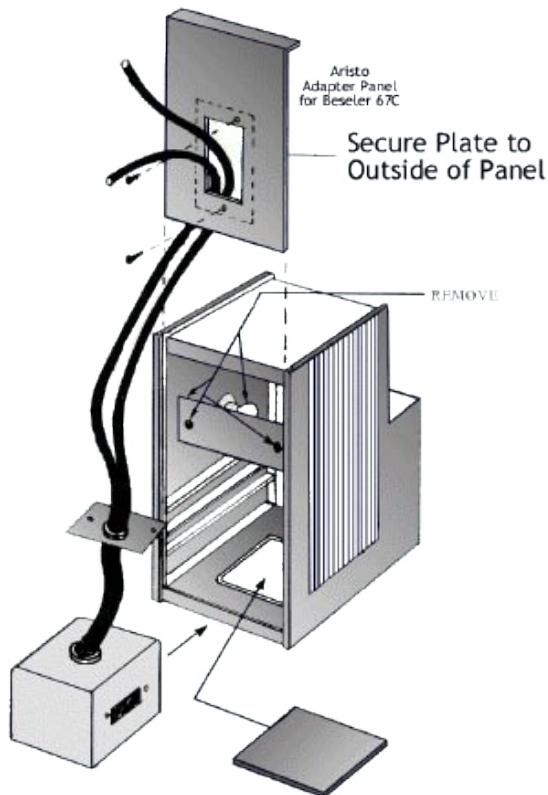
- Case
- Light Head: 4 1/2" x 4" W x 3 1/8" H
- Watts: 70
- Weight: 1.4 lbs



Besler 67C Mounting Instructions:

Installation:

1. Remove front panel, 2 screws that hold plate in front of bulb, plate and bulb.
2. Place Diffuser in bottom of unit. Place cold light head over diffuser so that felt strips are facing sides and rubber pad is towards the back.



3. Lower the Aristo adapter panel part way down in slots and holding in this position feed cords and rectangular flat plate through cutout on panel.
4. Close front panel and attach flat plate with screws provided. Be careful to orient hold on plate with panel as one hole is off center.
5. Connect matching plug to power pack



Besler 67C Mounting Instructions con't:

Thermostat Control

- 1 This feature is incorporated in all Aristo units. Thermo control maintains a continuous ambient warmth around the lamp insuring peak brightness at each start when operated through a timer or footswitch
- 2 Turn on your thermo switch or plug in your thermo cord and allow your unit to warm up for about 5-10 minutes before making any exposure.
3. To help speed up this warm-up period, the lamp may be turned on at the same time for about 3 minutes, then shut off. The unit is now ready to operate efficiently.
4. The thermo control should be left on continuously for the duration of any day or working session.

Processing Recommendations:

Negatives:

Develop negatives 20-30% longer than recommended for normal.
This becomes the "Normal" negative for cold light printing

Paper:

Expose paper so that full development time can be given. This will produce prints of good contrast and maximum quality, maintaining a full tonal range from the whitest highlights to the deepest blacks.

Maintenance and Care:

Clean your unit periodically. With a damp cloth wipe your lamp, reflector and diffusion plate of dust and dirt which may accumulate. Keeping the unit clean will help maintain optimum evenness, speed and contrast.

With a minimum of care, your Aristo cold light unit will give you years of faithful and trouble free service.

Caution:

Instructions are for guidance only.

Aristo/Voltarc will not be responsible for any damage to lamp or lamp housing for items improperly installed.

